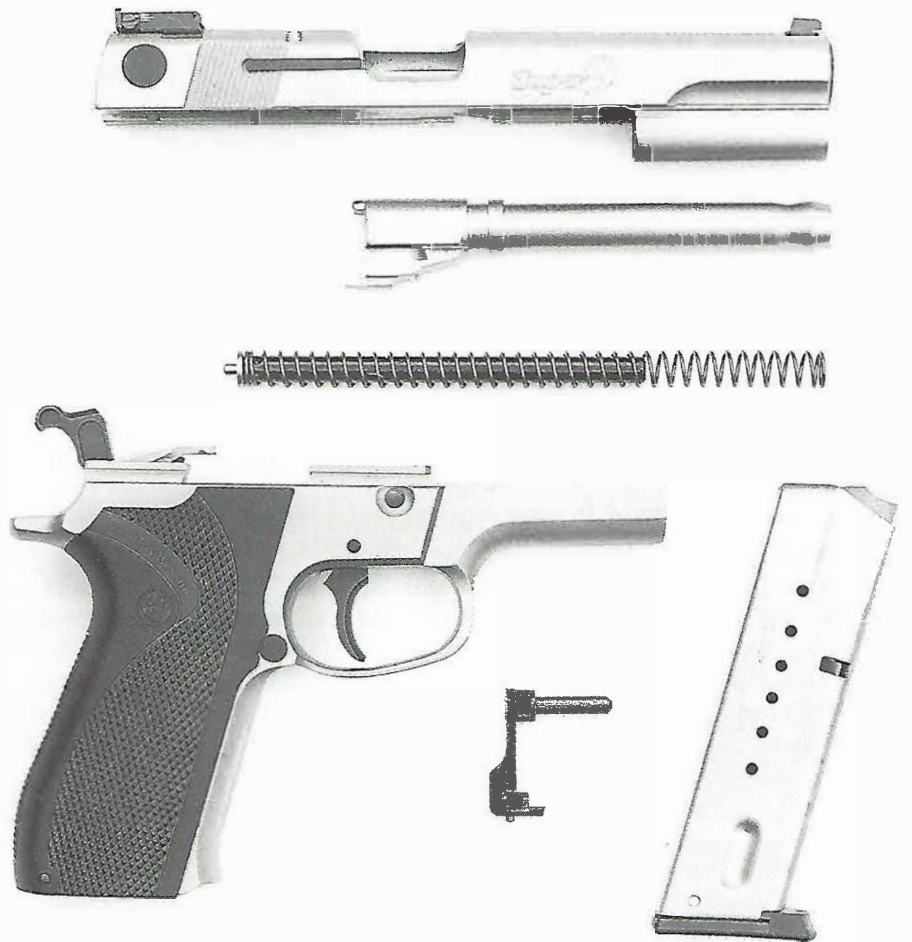


done the performance with 9 mm Para ammunition. Sorry, but it's no different.

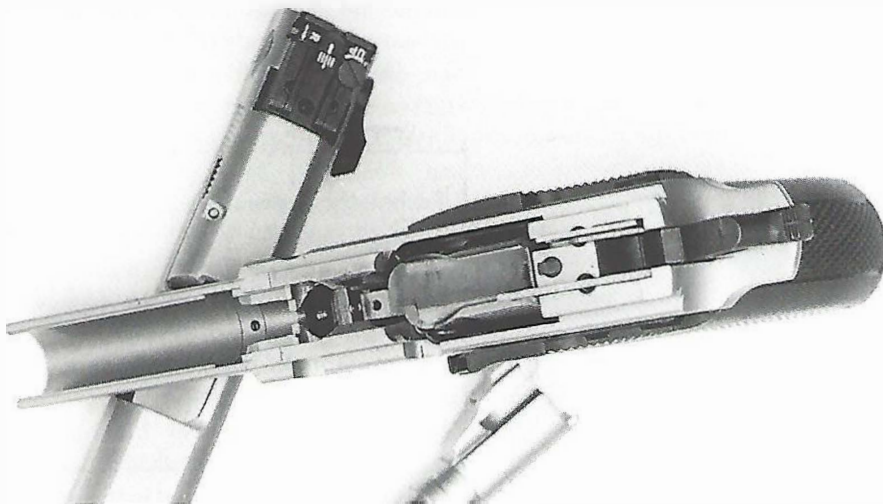
To start with the most important thing: with 9 mm Parabellum patterns, the gun is out of order. The Super 9 jacket effortlessly passes one after another. With iron regularity, he performs, shoots and throws out. Most new weapons show a hike in the beginning; This Smith & Wesson not.

A second striking point is the strong tractor pressure. The test weapon needed 2.5 kg to get the tractor. Cork dry, though, but very well. Another Super 9 by importer Mikx was between 1900 and 2000 grams. That's coming closer, but it seems that a Super 9 owner does not have to expect a relay mechanism.

Despite the relatively high weight of the gun, the Super 9 is nice, both with Geco ammunition and with the slightly milder 9 mm Para patterns of Magtech. At fast shots, the case is not so easy to get back on target. In that respect, the grip had a little more effect



The Super 9 main parts. Little news under the sun, but a good finish.



The interior. The sled is not guided over the entire length, but through relatively short rails in front of and behind the magazine opening. This allows for a tighter fit

but a grip cuff fixes the inconvenience as well. The three thirst are a good choice. When shooting, they are fine and for action shooting, they ensure that a goal can be easily picked up. A detail: the warehouses did not initially want to

swallowed more than 14 patterns, but after a while they had been merged with the 15th.

Conclusion

The question whether the Super 9 complies

The purpose for which the weapon is made can not be fully answered here. If the 9x21 and .356 TSW weapon performs as well as 9mm Parabellum Ammunition - and there is no reason to think that's not the case - then the gun is a good choice. The finish is excellent and the reliability is high. Of course, there is a price tag: including the three runs is the advisory price f 2790, -.

Thanks to the company Mikx for making available the Super 9 and the shooting association Le Cartouche in Ochten for the use of the track.